

A High Performance Instrument with Fast Acquisition, Fast Transfer, Fast Storage

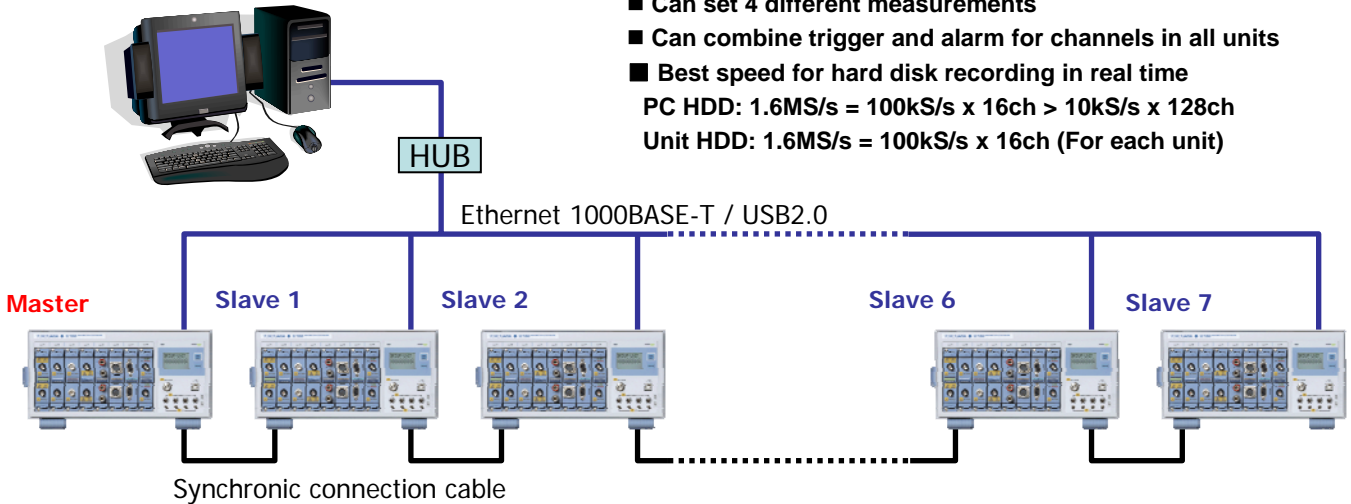


High Speed Data Acquisition Unit SL1000

New! With Maximum 128ch (16ch x 8 units) **Ver. 2**

Supports multichannel input!

- Best sample rate 100MS/s (all simultaneous 128 ch)
 - Can set 4 different measurements
 - Can combine trigger and alarm for channels in all units
 - Best speed for hard disk recording in real time
- PC HDD: 1.6MS/s = 100kS/s x 16ch > 10kS/s x 128ch
Unit HDD: 1.6MS/s = 100kS/s x 16ch (For each unit)

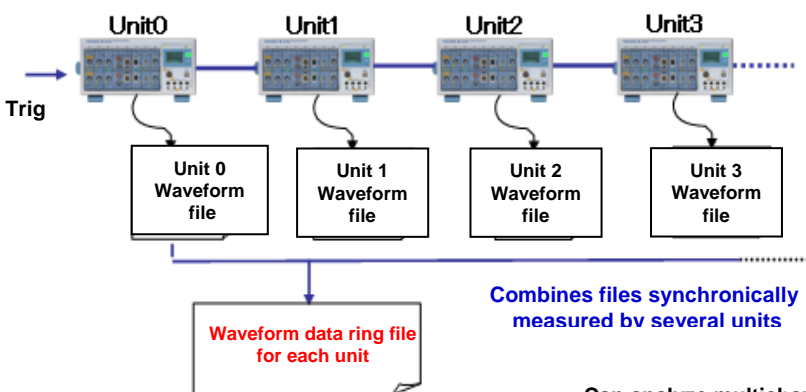
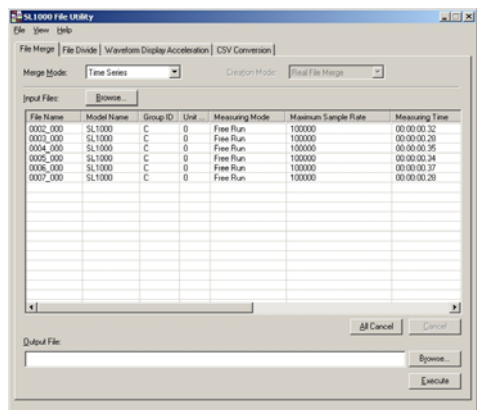


NB) Cannot record into PC HDD and HDD embedded in SL1000 at the same time. The recording file is per unit basis. (Utility software interface.)

SL1000 File Utility

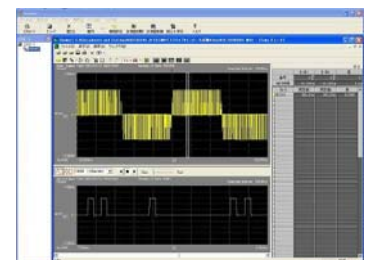
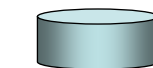
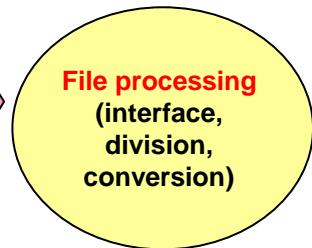
File interface (time/channel), file division Can convert CSV files
Added fast data processing function of waveform display

File interface operation screen (example)



Combines files synchronously measured by several units

Can analyze multichannels from several units at the same time



Xviewer

A new expanded SL100 that is easy to use, without stress, and processes data quickly when collecting data **Ver. 2**

Waveform Display

Large icons

Shows measurement mode and sample rates

Channel setting information

The screenshot shows the SL1000 software interface with several key features highlighted:

- Operation Panel:** Located on the left, it contains large icons for Start, Stop, Rec. (Record), Divide, Hold, and Resume.
- Waveform Display:** The central area shows a multi-channel waveform. Annotations include:
 - "Double click vertical axis": A callout pointing to the vertical axis of the waveform.
 - "Right click on vertical axis": A callout pointing to the vertical axis.
 - "Can set trigger level and pre trigger with mouse": A callout pointing to a vertical trigger level marker on the waveform.
- Channel Info Panel:** On the right, it displays channel settings such as Sample Rate, Coupling, Probe, and Range for multiple channels.
- Measurement Mode:** At the top of the waveform area, it shows "Measuring Mode: Normal" and "Max Sample Rate: 100kS/s".
- Vertical Scale Setting Dialog:** A dialog box for "CH1" is shown, with "Auto Scale" selected and "Max" and "Min" values set to 5.000 and -5.000 respectively.
- HDD Capacity:** A progress bar at the bottom indicates "HDD 9999 784 MB/1GB".
- Error Info:** A field at the bottom right is labeled "Indicator of buffer overrun" and "Can monitor data transfer during communication".
- File List:** A table at the bottom shows a list of files with columns for File Name, Save Time, and Data Size.

Shows remaining hard disk capacity

Indicator of buffer overrun
Can monitor data transfer during communication

Specifications

Synchronous Operation

Maximum connections 8 (Maximum sync cable length: 10 m or less total)
Sampling error between units Max. ± 20 ns or one sampling clock, whichever is longer

Synchronized items Measurement and recording start and stop, internal sampling clock, external sampling clock, time, trigger, and alarm

File Utility Function

File merging Merge waveform data files over time or over channels
File division Divides waveform data files and extracts a portion of the data

Waveform display acceleration Adds display data to the waveform data files. The display data is used to accelerate waveform displaying on Xviewer.

CSV file conversion Converts waveform data files (.wdf extension) to CSV files

Built-in HDD file access function

The screenshot shows a "File Transfer" window with a list of files and folders. A large blue arrow labeled "Drag and drop" points from the file list to a destination folder, indicating the built-in file access function.

Can copy files to PC from SL1000 with acquisition software

YOKOGAWA ◆

YOKOGAWA ELECTRIC CORPORATION
Communication & Measurement Business Headquarters /Phone: (81)-422-52-6768, Fax: (81)-422-52-6624
E-mail: tm@cs.jp.yokogawa.com

YOKOGAWA CORPORATION OF AMERICA Phone: (1)-770-253-7000, Fax: (1)-770-251-6427
YOKOGAWA EUROPE B.V. Phone: (31)-33-4641858, Fax: (31)-33-4641859
YOKOGAWA ENGINEERING ASIA PTE. LTD. Phone: (65)-62419933, Fax: (65)-62412606